

## Tuning Fork (\ Z 2 x 6)



### {Features}

- Low cost
- Industry standard package
- High reliability and stability crystal
- Wide frequency range and calibration tolerances available
- Rohs compliant / Pb free



### Application of Crystal:

- Best choice for mother board
- USB
- LAN card
- Router
- Switch



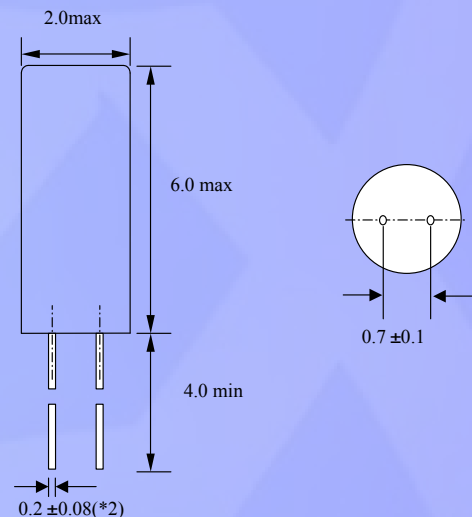
### Electrical Specification:

Model	Z/428
Frequency Range	6.000~ 26.000 MHz
Frequency Tolerance at 25 ℃ ±2 ℃	±20 ~ ± 50 ppm (TYP.)
Frequency Stability Over Operating Temp Range	±10 ~ ± 50 ppm (TYP.)
Operating Temp Range	-10 ℃~ +60 ℃,-20 ℃~ +70 ℃ or customer requirement
Load Capacitance	8 pF ~ 32 pF, series or special
Shunt Capacitance	7 pF Max.
Drive Level	0.1uW ~ 1000uW(TYP.: 100uW)
Insulation Resistance	500M min / DC 100V ±15V
Oscillation Mode	Fundamental, 3rd overtone
Measure Instrument	S&A 250B

### Equivalent Series Resistance(ESR) VS Frequency:

Frequency (MHz)	Oscillation Mode	Z428
6.0 ~ 7.99	Fundamental	180
8.0 ~ 9.99	Fundamental	160
10.0 ~ 11.99	Fundamental	120
12.0 ~ 15.99	Fundamental	100
16.0 ~ 19.99	Fundamental	80
20.0 ~ 26.00	Fundamental	120

### Dimensions (mm):



\* Above specification subject to change without prior notice, please consult our sales representative for more information  
 SHENZHEN ZHAOXIAN ELECTRONICS CO;LTD TEL:0755-27876236 QQ:769468702 <http://www.zhaoxiandz.com>